



SW5124

User Manual

1. Specification

Model	SW-5124 Industrial-grade Ethernet Switch
Ports	24* 10/100Base-T(X)
	RJ45 port supports full-duplex/half-duplex and MDI/MDI-X auto-negotiation.
Power	AC Model: AC85~264V/DC110~370V (Single power supply)
Consumption	<15 W (Full-load)
IEEE Standard	IEEE802.3、802.3u、802.3x
Switching mode	Store -Forward
Backplane Bandwidth	8.8Gbps
Buffer Size	768Kbit
MAC Address	8K
Dimension	482.6mm×44mm×210mm (Including hanging ears)
Operating Temperature	-40°C~+85°C
Storage Temperature	-40°C~+85°C
Humidity	5%~95%RH (non-condensing)
EMC	IEC61000-4-2 (ESD), Level 4
	IEC61000-4-5(Surge), Level 4 ※ The ports support 6KV surge protection.
	IEC61000-4-4(EFT), Level 4

2. Hardware and Installation

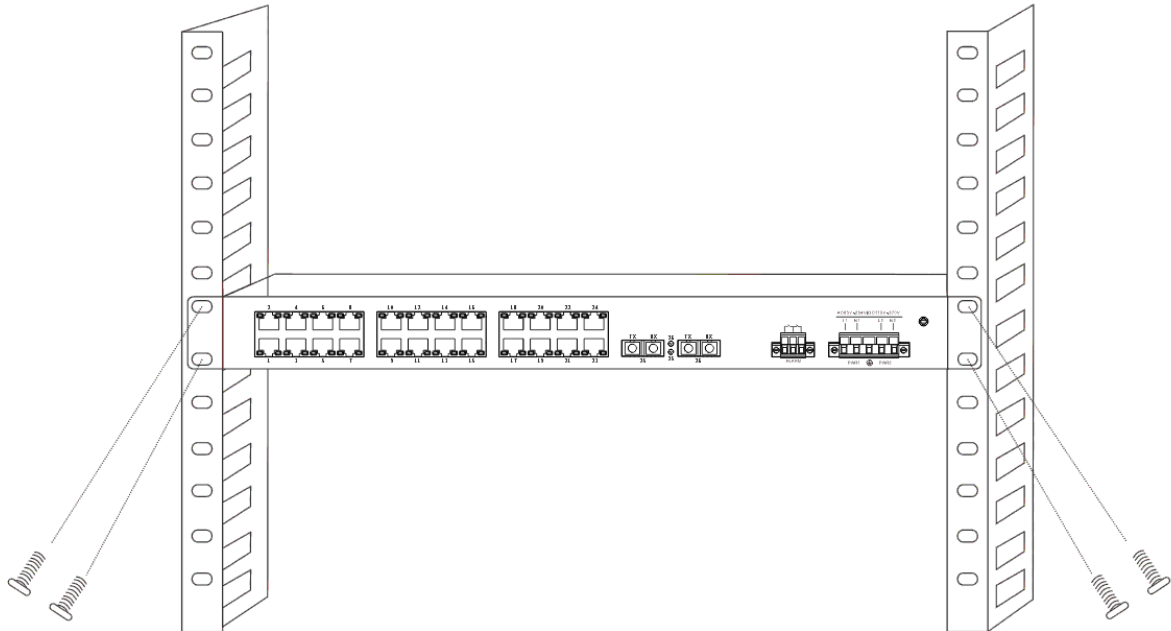
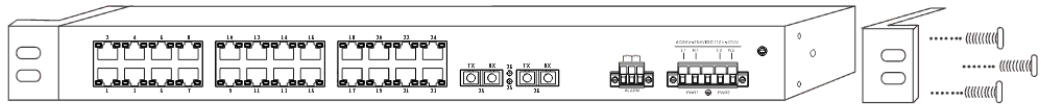
❖ Cautions

To avoid damage to the device or personal injury due to improper use, please note the following:

1. Ensure the switch is powered off during installation.
2. Make sure the input voltage is within the range specified for the switch.
3. When connecting the power supply, ensure the power cord is properly connected to the power terminals before powering on.
4. When powering off, disconnect the power supply before removing the power cord.
5. Do not open the switch's casing.
6. Do not place heavy objects on the switch.
7. Keep the switch clean and do not use any liquids to clean it.

❖ Installation

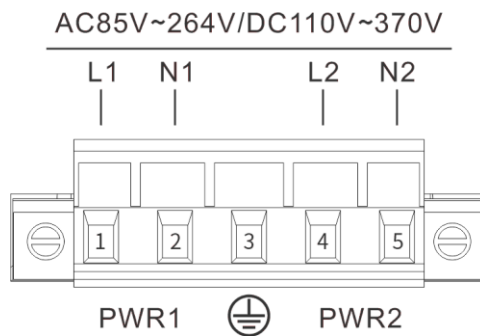
1. Choose the installation location for the product and ensure that there is sufficient space;
2. Use matching screws to install the hanging ears in pairs on the left and right sides of the product;
3. Place the product on the cabinet and align it with the rack mounting holes. Use 4 screws to secure the hanging ears on both sides.



❖ **Power Input**

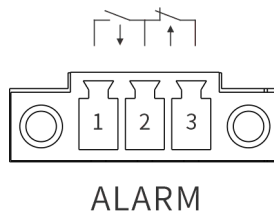
The 24-port 100Mbps industrial Ethernet switch provides a 5-position, 7.62mm-pitch industrial-grade terminal block as the power input interface. The connection method differences depending on the power input range:

- **AC Model:** Powered by AC 85~264V / DC 110~370V. Connect the power lines to the V1+ (L) and V1- (N) terminals only. Do not connect to the V2+ or V2- terminals. Please exercise caution to prevent electric shock.



❖ Power Failure Alarm

This series of industrial Ethernet switches supports a power failure alarm function. The power failure alarm output terminal uses a 3-position 5.08 mm pitch industrial-grade terminal block. The power failure alarm output consists of one normally open (NO) and one normally closed (NC) relay. The middle terminal is the common terminal, with the left two terminals being the normally open contacts and the right two terminals being the normally closed contacts. When the switch is operating normally, the normally open contacts are closed, and the normally closed contacts are open. When the system loses power, the normally open contacts are opened, and the normally closed contacts are closed. The relay's recommended switch load capacity is 1A (@24VDC).



❖ Ethernet

The RJ45 port supports CAT-5 twisted pair cables and automatically recognizes straight-through and crossover cables, with a transmission distance of up to 100 meters. Users can connect their network devices (such as workstations, hubs, or switches) to the switch's RJ45 port using Cat5 twisted pair cables.

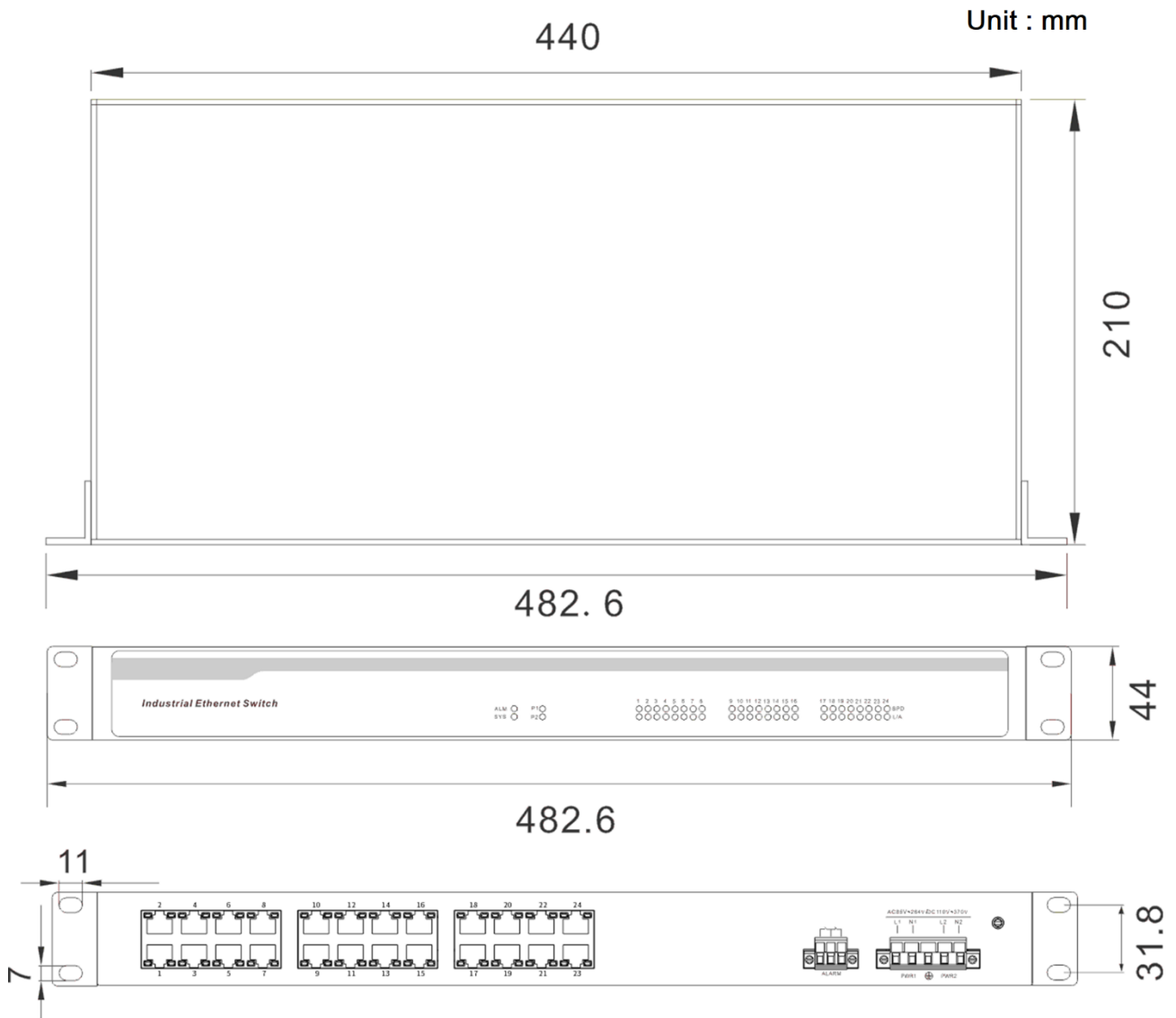
3. LED

❖ LED Indicator

LED Indicators		Status	Definitions
Power LED	P1/P2	Steady On	Power Supply is on normal
		Off	Disconnection or malfunction
System LED	SYS	Flash	The system is running normally
		Off	The system is not running or running abnormally
Alarm LED	ALM	Steady On	Relay alarm
		Off	Relay has no alarm
Port LED	L/A	Steady On	Connection
		Flash	data transmission and reception
		Off	Disconnection or malfunction

4. Product Dimension

❖ Dimension



5. Package

❖ Packing

Item	Q'ty	Remark
Ethernet Switch device	1	
AC220V Power Cable	1	For AC type model
User Manual	1	Digital copy